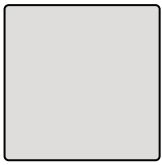
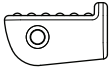


# Yube™



x 2

Shelf Panel



x 8

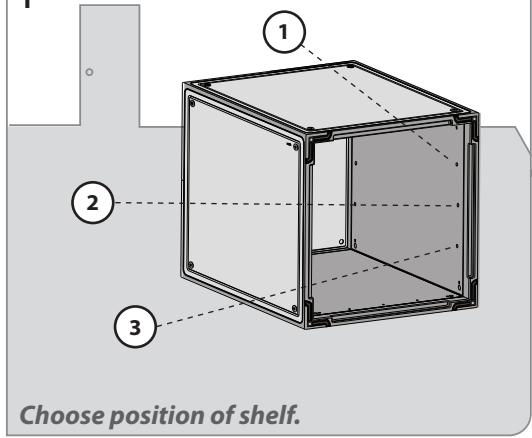
Shelf Supports



x 8

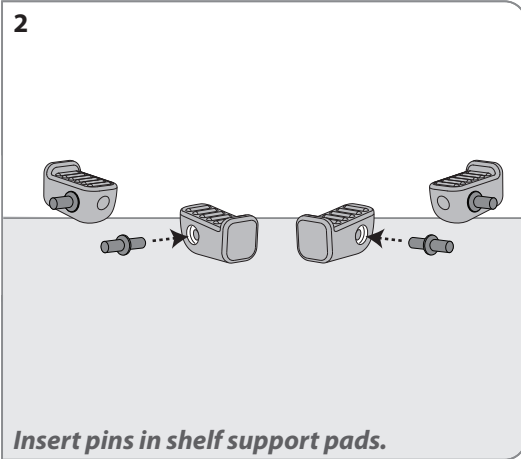
Mounting Pins

1



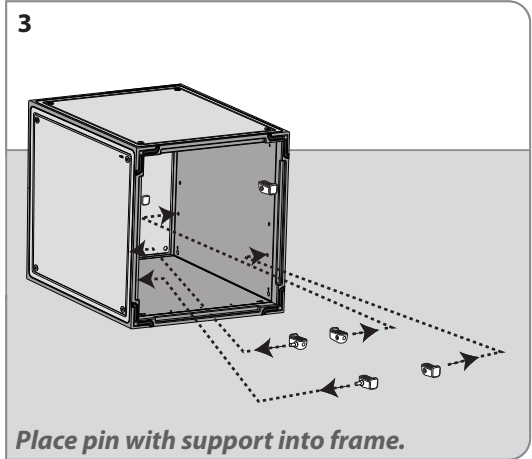
*Choose position of shelf.*

2



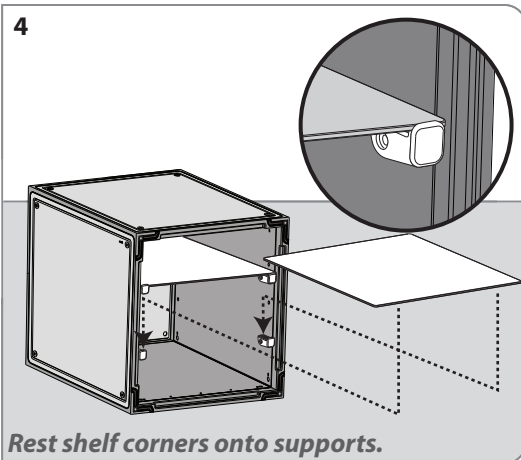
*Insert pins in shelf support pads.*

3



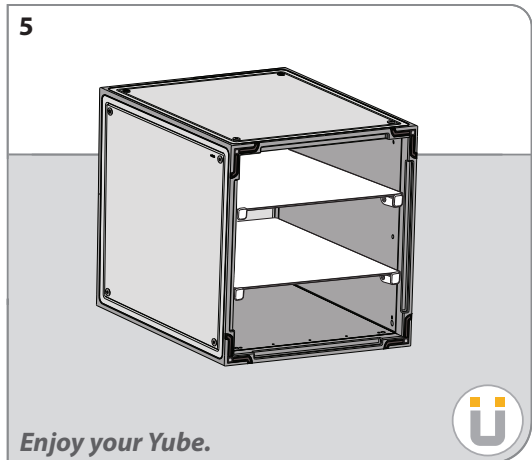
*Place pin with support into frame.*

4



*Rest shelf corners onto supports.*

5



*Enjoy your Yube.*

